

Aliaxis



505
CLAMP SADDLES IN PP

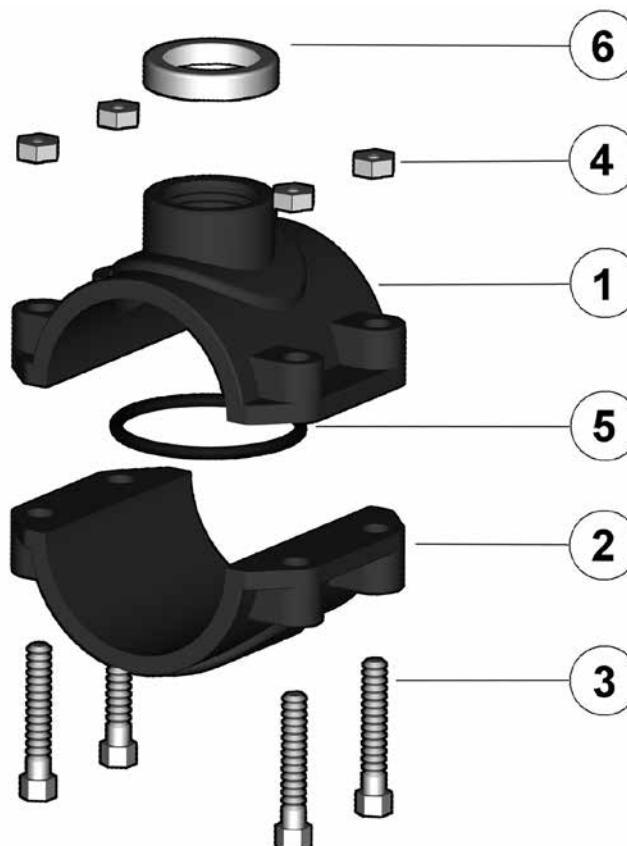
505

CLAMP SADDLES IN PP

- RANGE from d.20 to d. 315mm, threaded branches from R 1/2" to R 4"
- Maximum working pressure (PFA):
10 bar up to dxR 160x2",
6 bar up to dxR 200x4",
4 bar up to a dxR 315x4"
- Upper and bottom part in PP
- Gasket O-Ring in NBR
- Reinforcing ring in stainless steel AISI 430
- Installation by screwing 2/4/6 bolts in zinc plated steel according to the diameter (Stainless steel on demand)

COMPONENTS AND MATERIAL

- 1 • Upper part (PP)
- 2 • Bottom part (PP)
- 3 • Bolts (Zinc plated steel)
- 4 • Nuts (Zinc plated steel)
- 5 • O-Ring (NBR)
- 6 • Reinforcing ring (Stainless steel)



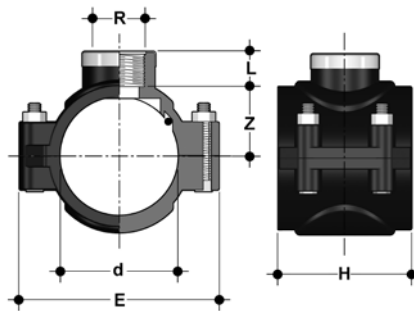
TECHNICAL DATA

WORKING PRESSURE

at 20° according to ISO 13460

d X R	1/2"	3/4"	1"	1" 1/4	1" 1/2	2"	2" 1/2	3"	4"
20	10 bar								
25	10 bar	10 bar							
32	10 bar	10 bar	10 bar						
40	10 bar	10 bar	10 bar						
50	10 bar	10 bar	10 bar						
63	10 bar	10 bar	10 bar	10 bar	10 bar				
75	10 bar	10 bar	10 bar	10 bar	10 bar	10 bar			
90	10 bar	10 bar	10 bar	10 bar	10 bar	10 bar			
110	10 bar	10 bar	10 bar	10 bar	10 bar	10 bar		6 bar	
125		10 bar	10 bar	10 bar	10 bar	10 bar			
140			10 bar	10 bar	10 bar	10 bar	6 bar	6 bar	
160		10 bar	10 bar	10 bar	10 bar	10 bar		6 bar	
180				6 bar	6 bar	6 bar		6 bar	6 bar
200				6 bar	6 bar	6 bar		6 bar	6 bar
225				4 bar	4 bar	4 bar		4 bar	4 bar
250				4 bar	4 bar	4 bar		4 bar	4 bar
280				4 bar	4 bar	4 bar		4 bar	4 bar
315				4 bar	4 bar	4 bar		4 bar	4 bar

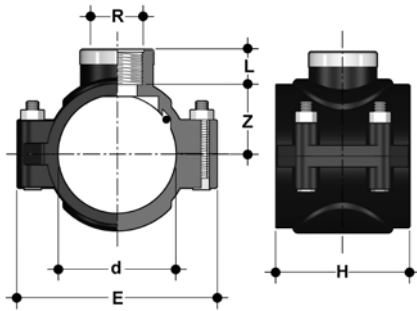
DIMENSIONS



505

CLAMP SADDLES IN PP

d x R	b	E	H	L	Z	g	Code	Box qty
20 x 1/2"	2 M6x35	62	37,5	17,0	17	60	1S50520B00F	150
25 x 1/2"	2 M6x35	69	43,0	18,5	18,5	70	1S50525B00F	120
25 x 3/4"	2 M6x35	69	43,0	18,5	18,5	75	1S50525C00F	120
32 x 1/2"	2 M8x45	78	45,0	18,5	18,5	99	1S50532B00F	100
32 x 3/4"	2 M8x45	78	45,0	18,5	18,5	103	1S50532C00F	100
32 x 1"	2 M8x45	91	60,0	18,5	18,5	130	1S50532D00F	60
40 x 1/2"	2 M8x45	84	51,0	22,0	22,0	119	1S50540B00F	50
40 x 3/4"	2 M8x45	84	51,0	22,0	22,0	125	1S50540C00F	50
40 x 1"	2 M8x45	84	51,0	22,0	22,0	136	1S50540D00F	50
50 x 1/2"	2 M8x45	87	53,0	22,0	22,0	119	1S50550B00F	75
50 x 3/4"	2 M8x45	87	53,0	22,0	22,0	123	1S50550C00F	75
50 x 1"	2 M8x45	87	71,0	22,0	22,0	132	1S50550D00F	75
63 x 1/2"	4 M8x50	100	71,0	17,0	17,0	227	1S50563B00F	70
63 x 3/4"	4 M8x50	100	71,0	22,0	22,0	229	1S50563C00F	70
63 x 1"	4 M8x50	100	71,0	22,0	22,0	238	1S50563D00F	50
63 x 1" 1/4	4 M8x50	100	71,0	24,0	24,0	246	1S50563E00F	50
63 x 1" 1/2	4 M8x50	100	91,0	24,0	24,0	253	1S50563F00F	60
75 x 1/2"	4 M8x50	120	91,0	17,0	17,0	312	1S50575B00F	60
75 x 3/4"	4 M8x50	120	91,0	20,0	20,0	304	1S50575C00F	60
75 x 1"	4 M8x50	120	91,0	22,0	22,0	311	1S50575D00F	50
75 x 1" 1/4	4 M8x50	120	91,0	24,0	24,0	319	1S50575E00F	45
75 x 1" 1/2	4 M8x50	120	91,0	24,0	24,0	323	1S50575F00F	45
75 x 2"	4 M8x50	120	91,0	26,0	26,0	337	1S50575G00F	45
90 x 1/2"	4 M8x60	137	91,0	17,0	17,0	334	1S50590B00F	40
90 x 3/4"	4 M8x60	137	91,0	20,0	20,0	336	1S50590C00F	40
90 x 1"	4 M8x60	137	91,0	22,0	22,0	345	1S50590D00F	40
90 x 1" 1/4	4 M8x60	137	91,0	24,0	24,0	352	1S50590E00F	35
90 x 1" 1/2	4 M8x60	137	91,0	24,0	24,0	360	1S50590F00F	35
90 x 2"	4 M8x60	137	91,0	26,0	26,0	368	1S50590G00F	35
110 x 1/2"	4 M8x60	155	98,5	17,0	17,0	377	1S50511B00F	25
110 x 3/4"	4 M8x60	155	98,5	20,0	20,0	379	1S50511C00F	25
110 x 1"	4 M8x60	155	98,5	22,0	22,0	386	1S50511D00F	25
110 x 1" 1/4	4 M8x60	155	98,5	24,0	24,0	390	1S50511E00F	25
110 x 1" 1/2	4 M8x60	155	98,5	24,0	24,0	399	1S50511F00F	25
110 x 2"	4 M8x60	155	98,5	24,0	24,0	411	1S50511G00F	25
110 x 3"	4 M8x60	155	98,5	33,0	33,0	545	1S50511H00F	20
125 x 3/4"	4 M8x60	168	101,0	20,0	20,0	510	1S50513C00F	30
125 x 1"	4 M8x60	168	101,0	22,0	22,0	513	1S50513D00F	30
125 x 1" 1/4	4 M8x60	168	101,0	24,0	24,0	520	1S50513E00F	30
125 x 1" 1/2	4 M8x60	168	101,0	24,0	24,0	529	1S50513F00F	30
125 x 2"	4 M8x60	168	101,0	24,0	24,0	545	1S50513G00F	30
140 x 1"	6 M8x60	189	134,0	22,0	22,0	928	1S50515D00F	20
140 x 1" 1/4	6 M8x60	189	134,0	24,0	24,0	932	1S50515E00F	20
140 x 1" 1/2	6 M8x60	189	134,0	24,0	24,0	935	1S50515F00F	20



d x R	b	E	H	L	Z	g	Code	Box qty
140 x 2"	6 M8x60	189	134	24,0	24,0	945	1S50515G00F	20
140 x 2 1/2"	6 M8x60	189	134	24,0	24,0	960	1S50515H00F	20
140 x 3"	6 M8x60	189	134	33,0	33,0	1010	1S50515I00F	20
160 x 3/4"	6 M8x60	213	137	22,0	22,0	1002	1S50517C00F	16
160 x 1"	6 M8x60	213	137	22,0	22,0	1005	1S50517D00F	16
160 x 1 1/4"	6 M8x60	213	137	24,0	24,0	1030	1S50517E00F	16
160 x 1 1/2"	6 M8x60	213	137	24,0	24,0	1043	1S50517F00F	16
160 x 2"	6 M8x60	213	137	28,5	28,5	1065	1S50517G00F	16
160 x 3"	6 M8x60	213	137	36,0	36,0	1150	1S50517I00F	15
180 x 1 1/4"	6 M10x80	265	171	24,0	24,0	2310	1S50518E00	8
180 x 1/2"	6 M10x80	265	171	24,0	24,0	2330	1S50518F00	8
180 x 2"	6 M10x80	265	171	24,0	24,0	2390	1S50518G00	8
180 x 3"	6 M10x80	265	171	33,0	33,0	2470	1S50518I00	8
180 x 4"	6 M10x80	265	171	42,0	42,0	2590	1S50518L00	8
200 x 1 1/4"	6 M10x80	265	171	24,0	24,0	1970	1S50521E00	8
200 x 1 1/2"	6 M10x80	265	171	24,0	24,0	1885	1S50521F00	8
200 x 2"	6 M10x80	265	171	24,0	24,0	1910	1S50521G00	8
200 x 3"	6 M10x80	265	171	33,0	33,0	2010	1S50521I00	8
200 x 4"	6 M10x80	265	171	42,0	42,0	2130	1S50521L00	8
225 x 1 1/4"	6 M10x80	280	173	24,0	24,0	2060	1S50523E00	7
225 x 1 1/2"	6 M10x80	280	173	24,0	24,0	2080	1S50523F00	7
225 x 2"	6 M10x80	280	173	24,0	24,0	2105	1S50523G00	7
225 x 3"	6 M10x80	280	173	33,0	33,0	2230	1S50523I00	7
225 x 4"	6 M10x80	280	173	42,0	42,0	2350	1S50523L00	7
250 x 1 1/4"	6 M10x80	313	181	24,0	24,0	2530	1S50526E00	7
250 x 1 1/2"	6 M10x80	313	181	24,0	24,0	2550	1S50526F00	7
250 x 2"	6 M10x80	313	181	24,0	24,0	2580	1S50526G00	7
250 x 3"	6 M10x80	313	181	33,0	33,0	2670	1S50526I00	7
250 x 4"	6 M10x80	313	181	42,0	42,0	2790	1S50526L00	6
280 x 1 1/4"	6 M10x80	385	190	24,0	24,0	4000	1S50528E00	3
280 x 1 1/2"	6 M10x80	385	190	24,0	24,0	4020	1S50528F00	3
280 x 2"	6 M10x80	385	190	24,0	24,0	4050	1S50528G00	3
280 x 3"	6 M10x80	385	190	33,0	33,0	4130	1S50528I00	3
280 x 4"	6 M10x80	385	190	42,0	42,0	4250	1S50528L00	3
315 x 1 1/4"	6 M10x80	385	190	24,0	24,0	3055	1S50533E00	4
315 x 1 1/2"	6 M10x80	385	190	24,0	24,0	3070	1S50533F00	4
315 x 2"	6 M10x80	385	190	24,0	24,0	3100	1S50533G00	4
315 x 3"	6 M10x80	385	190	33,0	33,0	3220	1S50533I00	4
315 x 4"	6 M10x80	385	190	42,0	42,0	3350	1S50533L00	4