

Aliaxis



RM DN 15

PVC-U

Diaphragm cock valve

RM DN 15

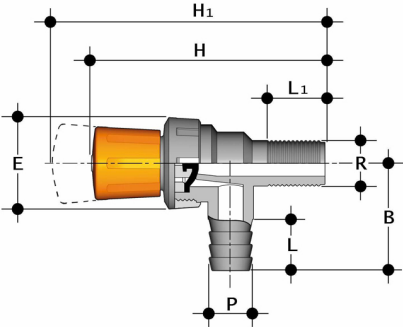
The RM diaphragm cock valve is used to shut-off and regulate fluid flow and is characterised by its reduced size.

DIAPHRAGM COCK VALVE

- Connection system for threaded joints
- **Can be installed in any position**
- Can be coupled to pipes in PVC-U, PVC-U plasticised, PE and rubber
- **Valve material compatibility** (PVC-U) with water, drinking water and other food substance conveyance according to **current regulations**
- Specifically designed for laboratory applications or for sampling purposes

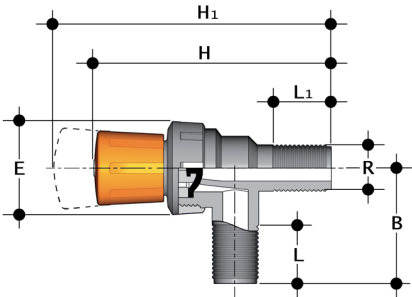
Technical specifications	
Construction	Diaphragm cock valve
Size range	DN 15
Nominal pressure	PN 4 with water at 20 °C
Temperature range	0 °C ÷ 60 °C
Coupling standards	Solvent welding: EN ISO 1452, EN ISO 15493 Can be coupled to pipes according to EN ISO 1452, EN ISO 15493. Thread: ISO 228-1, DIN 2999
Reference standards	Construction criteria: EN ISO 16138, EN ISO 1452, EN ISO 15493 Test methods and requirements: ISO 9393 Installation criteria: DVS 2204, DVS 2221, UNI 11242
Valve material	PVC-U
Seal material	EPDM
Control options	Manual control

DIMENSIONS



RMRPV
Diaphragm cock valve with BSP threaded male ends and hose connection

R	DN	PN	P	B	E	H	H ₁	L	L ₁	g	Code
1/2"	15	4	20	50	43	110	119	24	29	90	RMRPV012020E

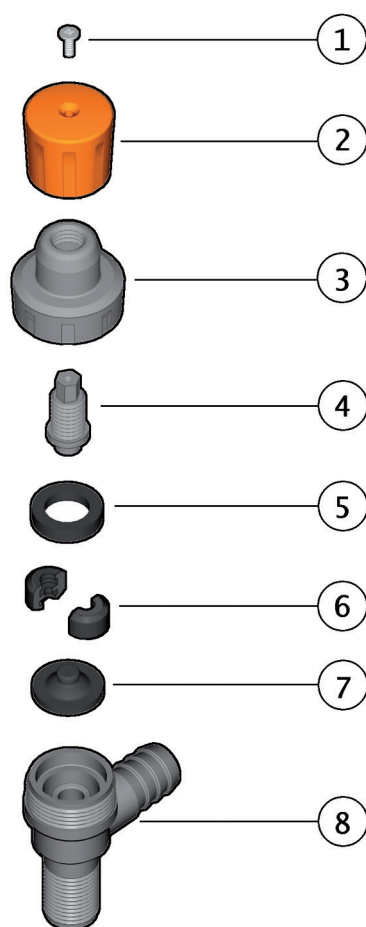


RMRV
Diaphragm cock valve with BSP threaded male ends

R	DN	PN	B	E	H	H ₁	L	L ₁	g	Code
1/2"	15	4	50	43	110	119	16	28	90	RMRV012E

COMPONENTI

ESPLOSO



1 Screw (STAINLESS steel - 1)

2 Handwheel (PVC-U - 1)

3 Bonnet (PVC-U - 1)

4 Stem (PVC-U - 1)

5 Sleeve (POM - 1)

6 Split couplings (POM - 2)

7 Diaphragm (EPDM- 1)

8 Body (PVC-U - 1)

Tra parentesi è indicato il materiale del componente e la quantità fornita

DISASSEMBLY

- 1) Isolate the cock valve from the fluid.
- 2) Unscrew the bonnet (3) clockwise.
- 3) Unscrew screw (1) and remove the handwheel (2).
- 4) Remove the stem (4) to access the split couplings (6), the sleeve (5) and diaphragm (7)

ASSEMBLY

- 1) Assemble the two split couplings (6), the sleeve (5) and diaphragm (7) to the stem (4), making sure that the latter is inserted in the larger cavity of each half collar, while the diaphragm connection is inserted in the smaller cavity
- 2) Screw the stem (4) to the bonnet (3)
- 3) Position the handwheel (2) on the bonnet and tighten the screw (1)
- 4) Screw the bonnet to the body (8)



Note: during assembly operations, it is advisable to lubricate the rubber seals. Mineral oils are not recommended for this task as they react aggressively with EPDM rubber.

INSTALLATION

The mini-valve can be installed in any position. If the valve is installed in a vertical position, if the connection is solvent welded, make sure that the solvent cement does not enter inside the body, as this would damage the seating of the seal.