

MAGNUM 3G BRASS

d.20-63 mm

Series of transition fittings with element brass threaded molded in the polypropylene body, suitable to join hydraulic equipment and threaded metal pipes with polyethylene pipes from d.20 up to d.63mm.

MAGNUM 3G BRASS “Material Coherency”

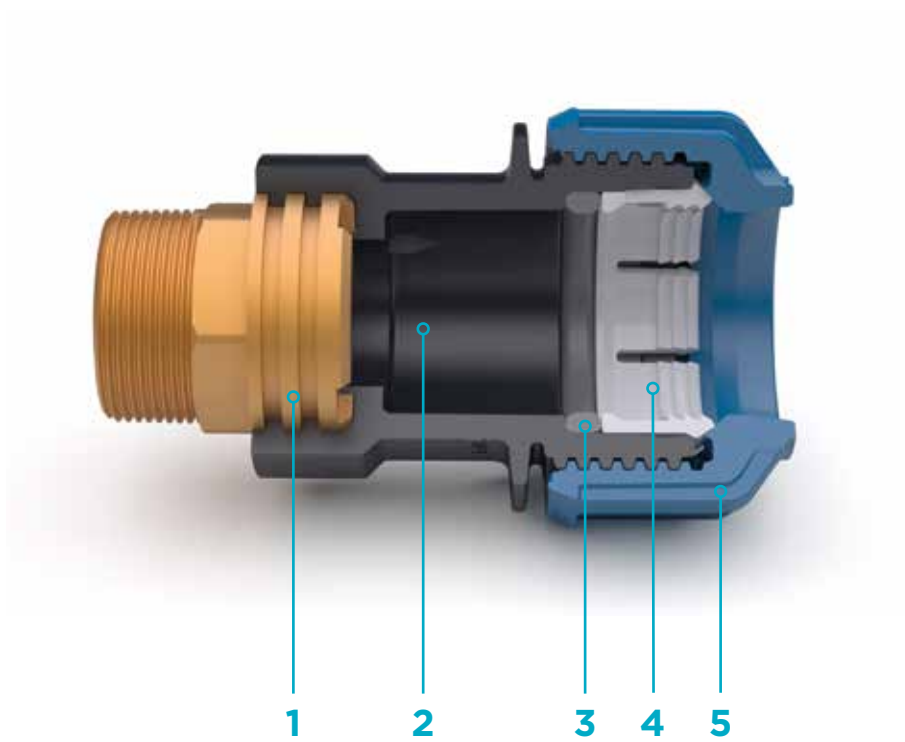
The transition fitting with metal/plastic body **MAGNUM 3G brass** series, gives the advantage of an increased mechanical resistance of the threaded joints between hydraulic equipment and metal pipes to PE pipes, exploiting the easy and quick installation system of mechanical compression fittings.

The nickel-plated brass threaded insert, available in both male and female version, is molded in the polypropylene body and consequently has a perfect anchorage to the body of the fitting.

The threaded insert is internally PP coated for the protection of the fluid and it is equipped with a special edge to enhance the sealing of the threaded connections.

MAGNUM 3G brass would provide a coherent jointing metal-to-metal threads, in addition with the plastic-to-plastic connection with PE pipe.

MAGNUM 3G
SYSTEM



Certified Brass CW617N

1 BRASS INSERT
Thread metal insert

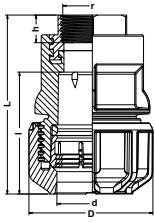
2 BODY
PP Copolymer
Drinking water compliance
Long Lifetime Mechanical Resistance

3 SEAL RING
EPDM 70 Shore A
Drinking water approved

4 CLINCHING RING
Acetal (POM)
Long Lifetime Mechanical Resistance

5 NUT
Acetal (POM)
Long Lifetime Mechanical Resistance

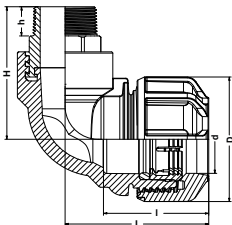
DIMENSIONS



3GZFPO

FEMALE ADAPTER WITH BRASS INSERT

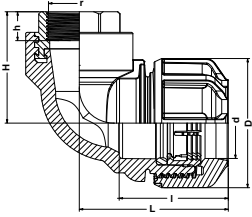
d	r	Code	DIMENSIONS				Box qty	Bag qty
			D	L	l	h		
20	1/2	3GZFPO020012	46,5	75,6	51,4	17	60	-
25	3/4	3GZFPO025034	55	85,8	59,6	17	40	-
32	1	3GZFPO032100	67	108	69	24	25	-
40	1 1/4	3GZFPO040114	82	116	73,5	25	38	-
50	1 1/2	3GZFPO050112	94	135	92	25	18	-
63	2	3GZFPO063200	109	151	100	25	9	-



3GZMPO

MALE ADAPTER WITH BRASS INSERT

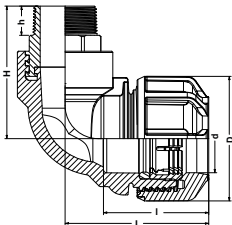
d	r	Code	DIMENSIONS				Box qty	Bag qty
			D	L	l	h		
20	1/2	3GZMPO020012	46,5	89	51,4	12	50	-
25	3/4	3GZMPO025034	55	102,8	59,6	15,7	40	-
32	3/4	3GZMPO032034	67	112	69	15,7	25	-
32	1	3GZMPO032100	67	127	69	20	25	-
32	1 1/4	3GZMPO032114	67	130	69	22	15	-
40	1	3GZMPO040100	92	134	73,5	20	15	-
40	1 1/4	3GZMPO040114	82	135	73,5	22	12	-
50	1 1/2	3GZMPO050112	94	155	92	22	18	-
63	2	3GZMPO063200	109	170	100	24	9	-



3GZGFPO

90° ELBOW FEMALE THREADED WITH BRASS INSERT

d	r	Code	DIMENSIONS					Box qty	Bag qty
			D	L	l	H	h		
20	1/2	3GZGFPO020012	46,5	60	46	41,8	17	60	-
25	3/4	3GZGFPO025034	55	70	50	48,5	17	40	-
32	1	3GZGFPO032100	67	82,5	58	68,4	24	36	-
40	1 1/4	3GZGFPO040114	82	98	70	77	25	10	-
50	1 1/2	3GZGFPO050112	94	107,4	78,3	80	25	9	-
63	2	3GZGFPO063200	109	119	88,5	104,5	25	5	-



3GZGMPO

90° ELBOW MALE THREADED WITH BRASS INSERT

d	r	Code	DIMENSIONS					Box qty	Bag qty
			D	L	l	H	h		
20	1/2	3GZGMPO020012	46,5	60	46	53,8	13	50	-
25	3/4	3GZGMPO025034	55	70	50	64	15,7	35	-
32	3/4	3GZGMPO032034	67	82,5	58	64	17	25	-
32	1	3GZGMPO032100	67	82,5	58	88	20	20	-
40	1 1/4	3GZGMPO040114	82	98	70	96	22	10	-
50	1 1/2	3GZGMPO050112	94	107,4	78,3	93	22	10	-
63	2	3GZGMPO063200	109	119	88,5	123,5	24	8	-