

Aliaxis



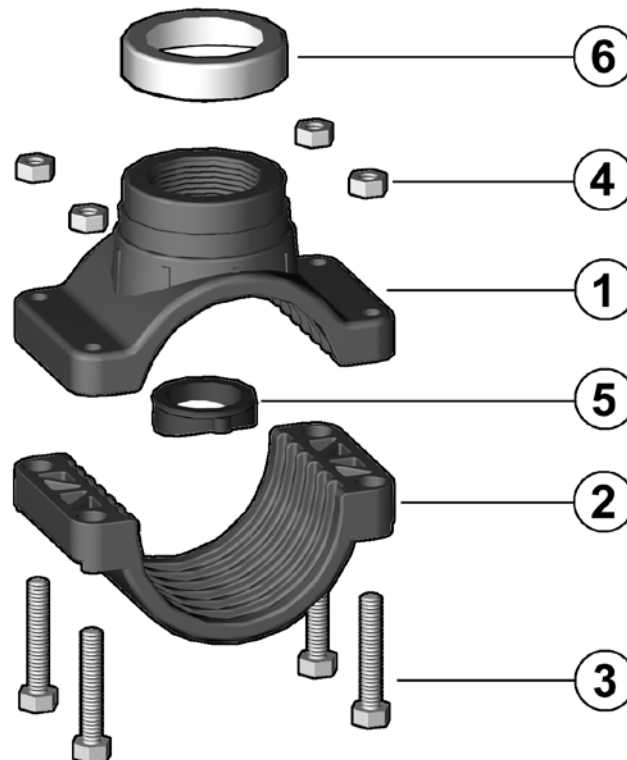
UIFV
CLAMP SADDLES IN PVC-U

CLAMP SADDLES IN PVC-U

- RANGE from d.32 a to d.225 mm, threaded branches from G 1/2" to G 3"
- Maximum working pressure PFA: 16 bar at 20° C
- Upper and bottom part molded in PVC-U
- Sealing by special gasket in NBR
- Metal reinforcing ring (Stainless steel AISI 430) on threaded branches
- Easy to install
- Installation by screwing 4 bolts in zinc plated steel (Stainless steel on demand)

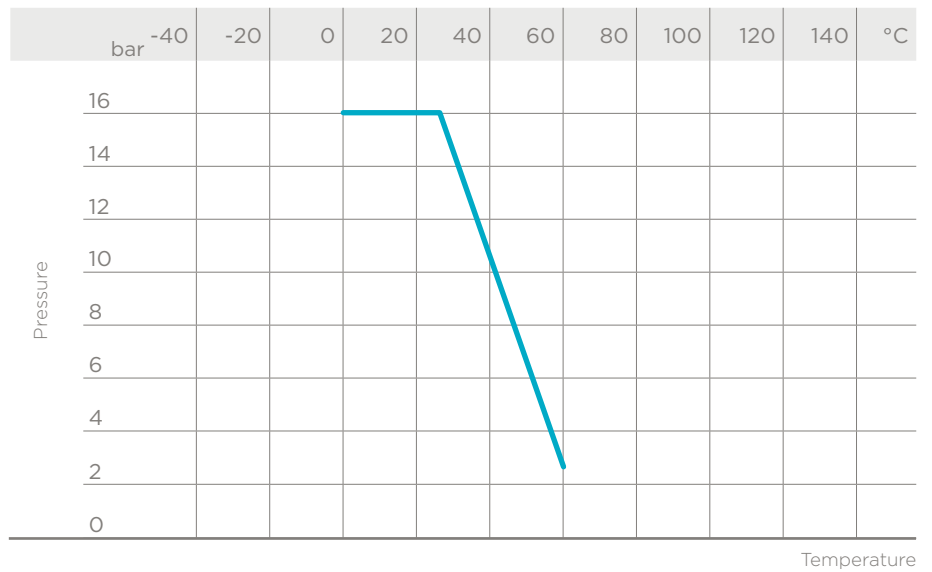
COMPONENTS AND MATERIAL

- 1 • Upper part (PVC-U)
- 2 • Bottom part (PVC-U)
- 3 • Bolts (zinc plated steel)
- 4 • Nuts (zinc plated steel)
- 5 • Gasket (NBR)
- 6 • Reinforcing ring (Stainless steel)



TECHNICAL DATA

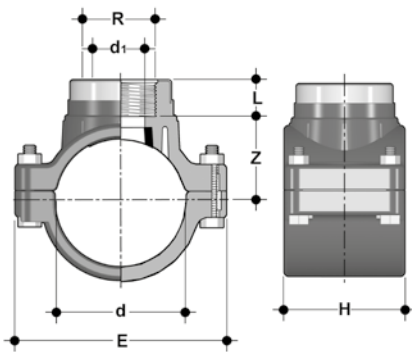
PRESSURE RESISTANCE ACCORDING TO TEMPERATURE



NUTS AND BOLTS DIMENSIONS

d	b
32 ÷ 50	4 M8 X 40
63 ÷ 90	4 M8 X 50
110 ÷ 200	4 M10 X 60
225	4 M12 X 65

DIMENSIONS



UIFV
CLAMP SADDLE IN PVC-U

d x R	d ₁	E	H	L	Z	g	Code	Box qty
32 x 1/2"	18,0	82	68	18	28,0	228	UIFV032012	45
32 x 3/4"	22,0	82	68	19	28,0	242	UIFV032034	45
40 x 3/4"	22,0	94	78	19	33,0	339	UIFV040034	30
40 x 1"	25,0	94	78	22	33,0	348	UIFV040100	30
50 x 1/2"	18,0	104	80	18	38,0	328	UIFV050012	30
50 x 3/4"	22,0	104	80	19	38,0	342	UIFV050034	30
50 x 1"	28,0	104	80	22	38,0	379	UIFV050100	30
63 x 1/2"	17,5	116	105	18	47,5	562	UIFV063012	25
63 x 3/4"	22,0	116	105	19	47,5	571	UIFV063034	25
63 x 1"	28,0	116	105	22	47,5	582	UIFV063100	25
63 x 1 1/2"	30,0	116	105	25	47,5	615	UIFV063112	25
75 x 3/4"	22,0	134	105	19	53,5	683	UIFV075034	20
75 x 1"	29,5	134	105	22	53,5	692	UIFV075100	20
75 x 1 1/2"	31,0	134	105	25	53,5	725	UIFV075112	20
75 x 2"	31,0	134	105	30	53,5	780	UIFV075200	20
90 x 3/4"	22,0	152	105	19	61,0	764	UIFV090034	20
90 x 1"	28,0	152	105	22	61,0	778	UIFV090100	20
90 x 1 1/2"	40,0	152	105	25	61,0	805	UIFV090112	20
90 x 2"	40,0	152	105	30	61,0	877	UIFV090200	20
110 x 3/4"	22,0	176	105	19	72,0	982	UIFV110034	16
110 x 1"	28,0	176	105	22	72,0	993	UIFV110100	16
110 x 1 1/2"	40,0	176	105	25	72,0	1017	UIFV110112	16
110 x 2"	40,0	176	105	30	72,0	1081	UIFV110200	16
125 x 1"	25,0	190	112	22	79,5	1260	UIFV125100	12
125 x 1 1/2"	40,0	190	112	25	79,5	1319	UIFV125112	12
125 x 2"	50,0	190	112	30	79,5	1412	UIFV125200	12
140 x 1"	25,0	214	114	22	87,0	1471	UIFV140100	10
140 x 1 1/2"	40,0	214	114	25	87,0	1526	UIFV140112	10
140 x 2"	50,0	214	114	30	87,0	1607	UIFV140200	10
160 x 1"	28,0	238	120	22	98,0	1453	UIFV160100	8
160 x 1 1/2"	40,0	238	120	25	98,0	1481	UIFV160112	8
160 x 2"	50,0	238	120	30	98,0	1523	UIFV160200	8
200 x 1 1/2"	40,0	300	133	25	118,0	2066	UIFV200112	7
200 x 2"	52,0	300	133	30	118,0	2119	UIFV200200	7
200 x 3"	52,0	300	133	36	118,0	2154	UIFV200300	7
225 x 1 1/2"	40,0	333	125	25	132,0	2610	UIFV225112	5
225 x 2"	50,0	333	125	30	132,0	2650	UIFV225200	5
225 x 3"	74,0	333	125	36	132,0	2735	UIFV225300	5